

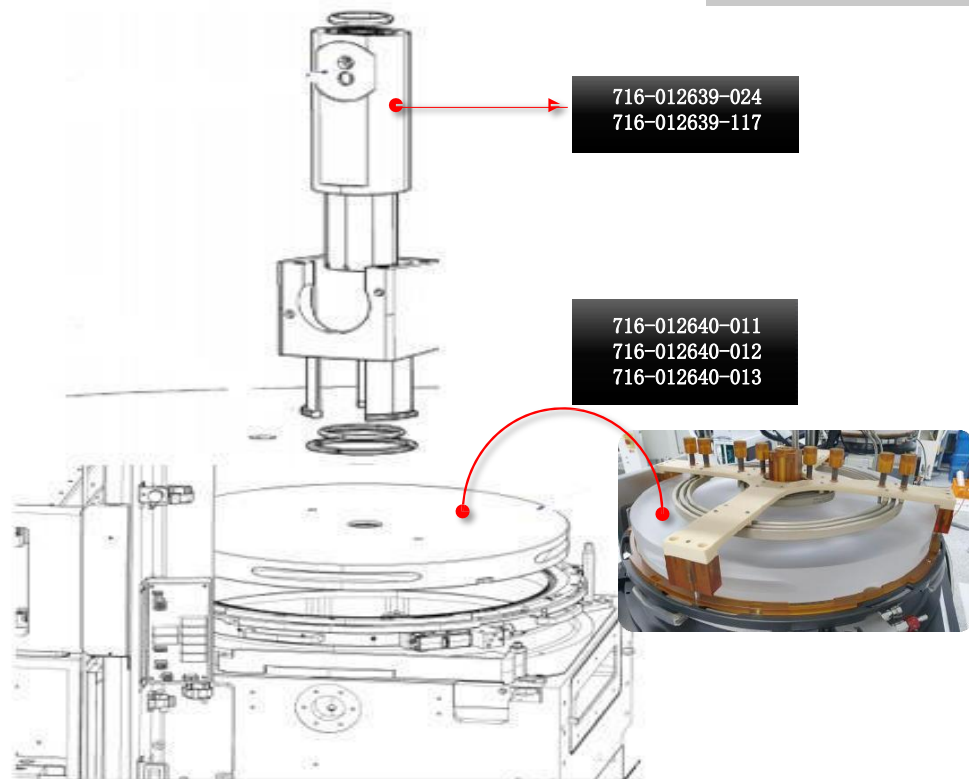


L*M 2300 Versys™ Kiyo
PM Spare Parts

L*M 2300 Exelan Flex45
PM Spare Parts

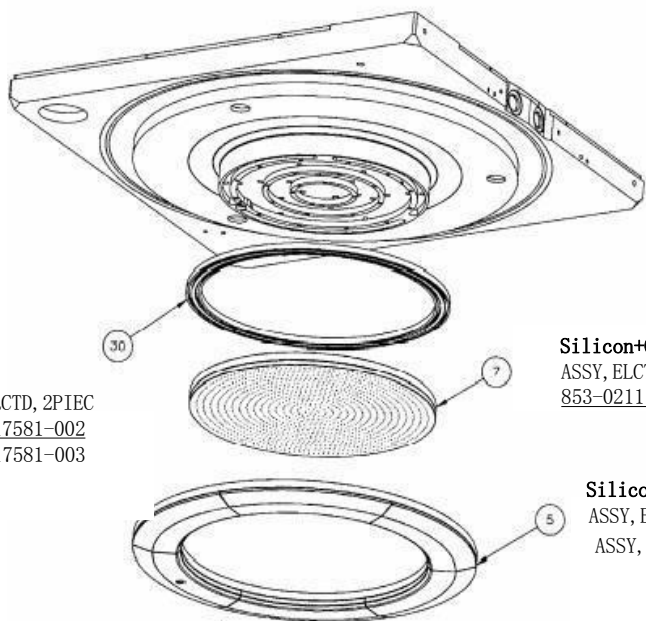
L*M 2300 Versys™ Kiyo PM Spare Parts

OEM Part No	Description	Material
716-012639-024	NOZ, 8, RDL, CTR, HOLE, QTZ	Quartz
716-012639-117	NOZ, 8, RDL, CTR, HOLE, QTZ	Quartz
716-012640-011	WOD, GAS INJ, FACE SEAL, QRTZ, NSG	Quartz
716-012640-012	WOD, GAS INJ, FACE SEAL, QRTZ, NSG	Quartz
716-012640-013	WOD, GAS INJ, FACE SEAL, QRTZ, NSG	Quartz



L*M 2300 Exelan Flex45 PM Spare Parts _ Quartz , Electrode(Silicon+Graphite)

Upper Process Module



Quartz
RING, ELCTD, 2PIEC
716-017581-002
716-017581-003

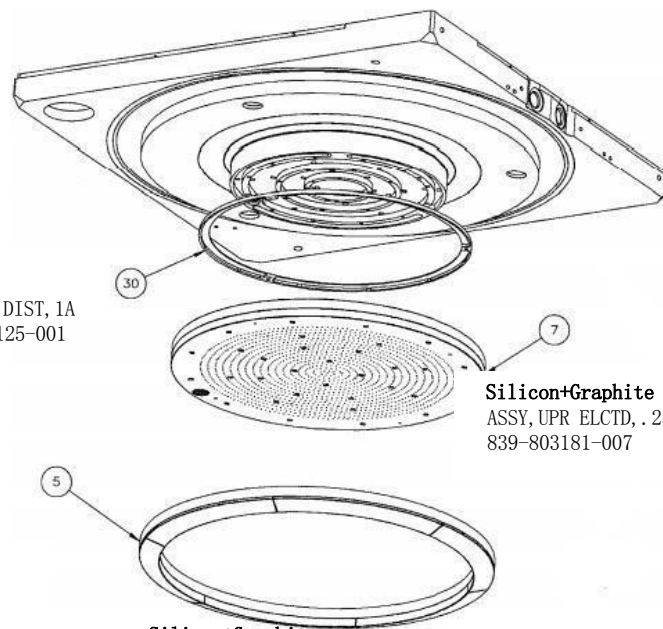
Silicon+Graphite
ASSY, ELCTD, INNER, TC, 300MM
853-021113-002

Silicon+Graphite
ASSY, ELCTD, OUTER 839-020965-005
ASSY, ELCTD, OUTER, . 18 STEP, 300MM

853-020965-006
ASSY, ELCTD, OUTER, . 14 STEP, 300MM

853-020965-007
ASSY, ELCTD, OUTER, FLAT, 300MM, CLN

853-020965-010
ASSY, ELCTD, OUTER, . 10 STEP, 300MM



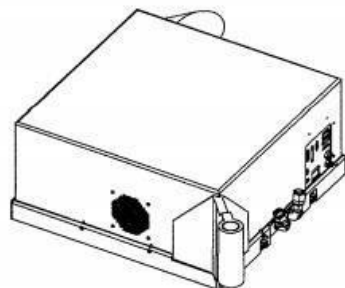
Quartz
BFL, GAS DIST, 1A
715-803125-001

Silicon+Graphite
ASSY, UPR ELCTD, . 25 STEP, GPH BA
839-803181-007

Silicon+Graphite
ASSY, ELCTD, OUTER 17 IN, SI, BO
839-015129-001

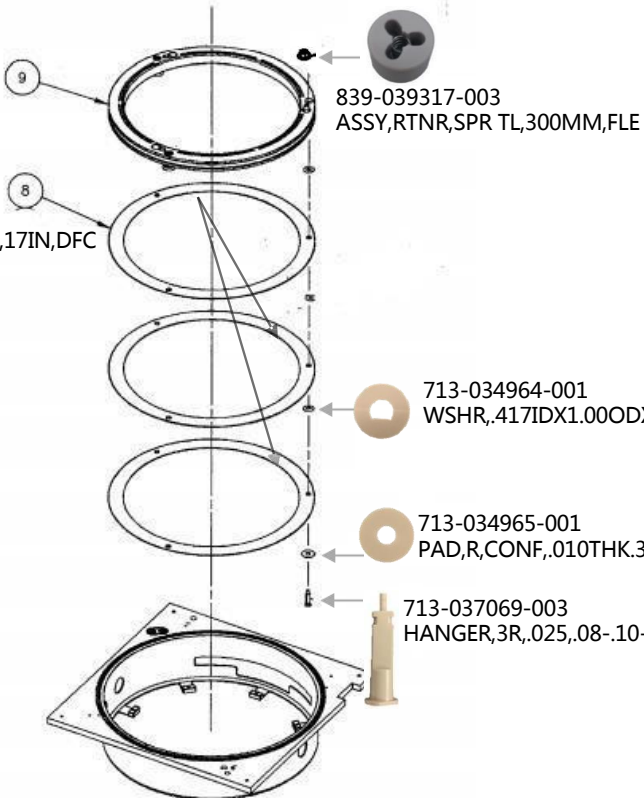
L*M 2300 Exelan Flex45 PM Spare Parts _ Quartz , Peek

Upper Process Module



9. RING WAP

- 716-017112-300
- 716-017112-330
- 716-017112-521
- 716-017112-522
- 716-017112-526



8. RING, WAP, QTZ, GENERIC, 17IN, DFC

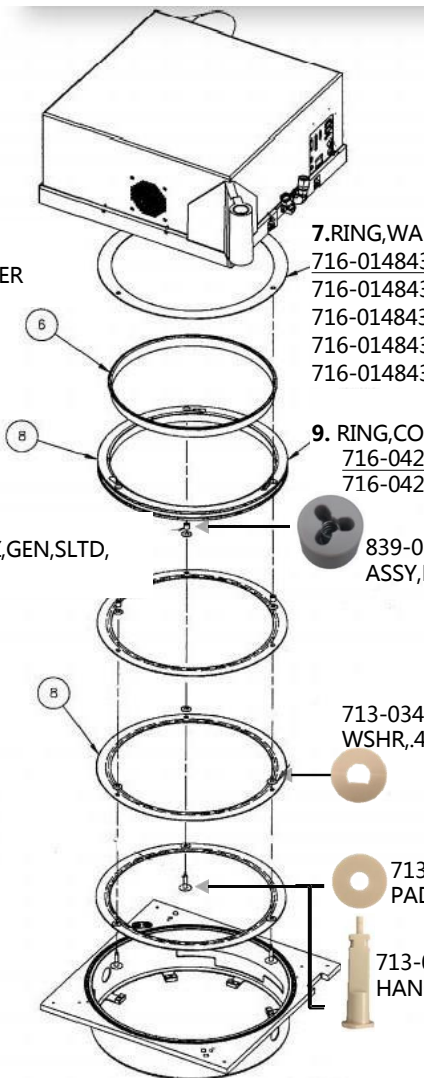
- 716-014843-300
- 716-014843-001
- 716-014843-303
- 716-014843-350
- 716-014843-353

839-039317-003
ASSY, RTNR, SPR TL, 300MM, FLE

713-034964-001
WSHR, .417ID X 1.00OD X .025THK, 300

713-034965-001
PAD, R, CONF, .010THK, 300MM

713-037069-003
HANGER, 3R, .025, .08- .10- .12, TL



6. RING, CONF, INNER
BYPASS, 300MM
716-042580-300
716-042580-400

8. RING, WAP, QTZ, GEN, SLTD,
DHOLE
716-014843-312
716-014843-352

7. RING, WAP, QTZ, GENERIC, 17IN, DFC
716-014843-300
716-014843-001
716-014843-303
716-014843-350
716-014843-353

9. RING, CONF, TWIST TOP, OUTER, 300MM
716-042579-300
716-042579-301

839-039317-003
ASSY, RTNR, SPR TL, 300MM, FLE

713-034964-001
WSHR, .417ID X 1.00OD X .025THK, 300

713-034965-001
PAD, R, CONF, .010THK, 300MM

713-037072-003
HANGER, 4R, .025, .08- .08- .12- .12

L*M 2300 Exelan Flex45 PM Spare Parts _ Quartz , ESC

Lower Process Module

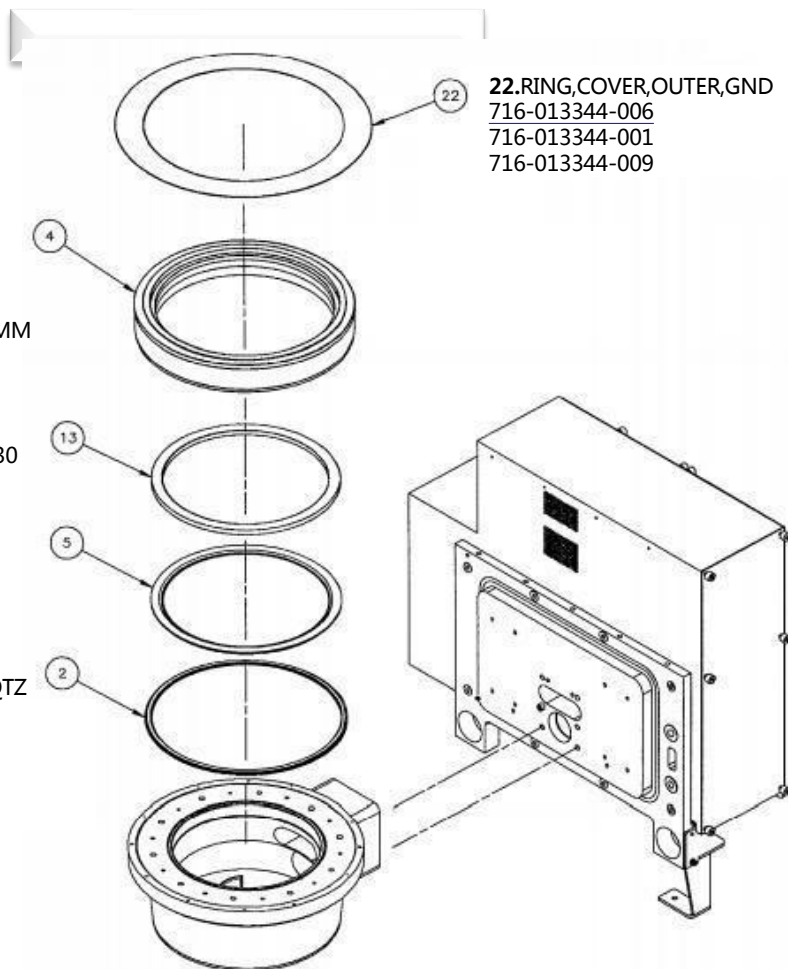
4. RING,BASE,QTZ
[716-037793-002](#)

13. RING,QTZ,COUPLING,300MM
[716-011969-002](#)
[716-011969-001](#)

5. R,HE, 38X ESC,RND, SGL XTL, 30
[716-023013-007](#)
[716-023013-020](#)
[716-023013-027](#)
[716-023013-028](#)
Ring,HE, .195 HGT,Si,300MM,SP
[716-023013-120](#)

2. COV,H/E RING,QTZ
[716-013402-003](#)
[716-013402-008](#)
[716-013402-053](#)
[716-013402-213](#)

22. RING,COVER, OUTER,GND
[716-013344-006](#)
[716-013344-001](#)
[716-013344-009](#)



ESC

839-800327-325

ESC,300,CER,BI,IMB BIGPI

839-800327-363

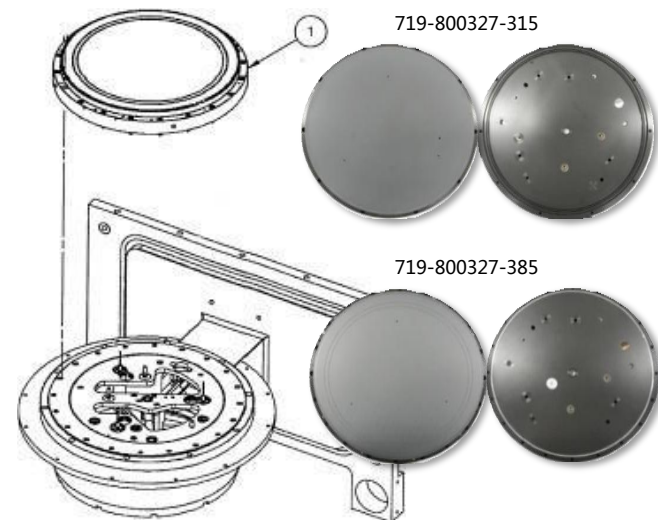
ESC,300MM,CER,BI-P, DUALZONE,...

[839-800327-385](#)

ESC,ASSY,DZ CLG,2 FNSH,300MM

[719-800327-315](#)

MOD,ESC.300MM.CER.BI-P,IMB BIG



719-800327-315

719-800327-385